

Trash Can Storage

Section 15.1.3 of the WHOA Handbook requires that trash, yard waste, and recyclables containers be stored out of direct view from the street. In recent months, a number of homes have not been complying with this requirement. Replacement of the recyclables tote bin with the blue roll-cart has exacerbated the problem. Because of the visual impact of improperly stored containers on the appearance of our neighborhood, the WHOA Board has discussed options for complying with the Handbook. These options include:

- If possible, the best option is to store your bins in the garage or in a fenced yard.
- Use of vegetation or a constructed partition may be used as a visual screen. Installation of vegetation does not require ARC approval. Planting options include various evergreen shrubs (such as abelia grandiflora, inkberry or dwarf burford holly, loropetalum, or ligustrum), deciduous shrubs (such as forsythia), or ornamental grasses (such as panicum 'Heavy Metal' or miscanthus 'Adagio'). To provide an effective screen, the selected plants should have a mature height and width of at least 48 inches.
- If a constructed partition is to be used, ARC approval is not required if commercially available panels (such as wooden or vinyl lattice or fencing panels) or decking boards are used. Panels should be at least 36 inches wide and 48 -60 inches high, and should be attached to 4x4-inch posts. If the partition is made of wood, it can be stained, painted white or the same color as the house or trim, or left unpainted. Example designs are shown in the attached file.
- If the homeowner wishes to construct a screen using other materials or designs, ARC approval is required.

If you have specific questions or concerns about trash can storage, please send an e-mail to either [ARC](#) regarding design or the [WHOA board](#) regarding other issues.



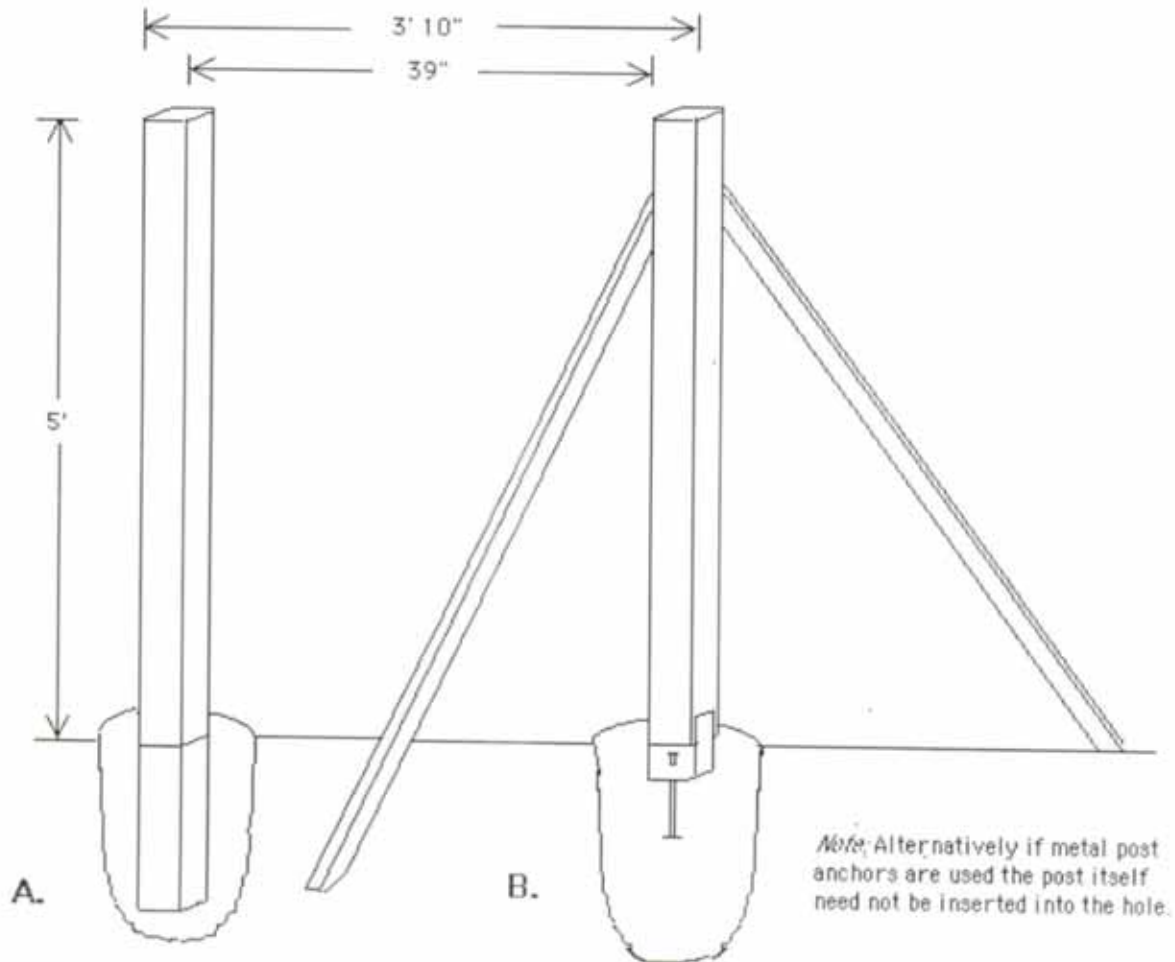


Figure 1. First used a strings held with stakes to mark the position of the posts. The height of the posts above the ground may not exceed 5' but should be of sufficient height to shield the city-provided waste containers. In the conventional method (A), shown for the post at the left, the posts purchased should be at least two feet longer so that they are inserted at least two feet into the ground. For stability, the excavated holes should be back-filled with concrete. A level should be used to make certain the posts are set straight. Two braces should be used at different directions 90 degrees apart to hold the posts in the plumb position until the concrete sets.

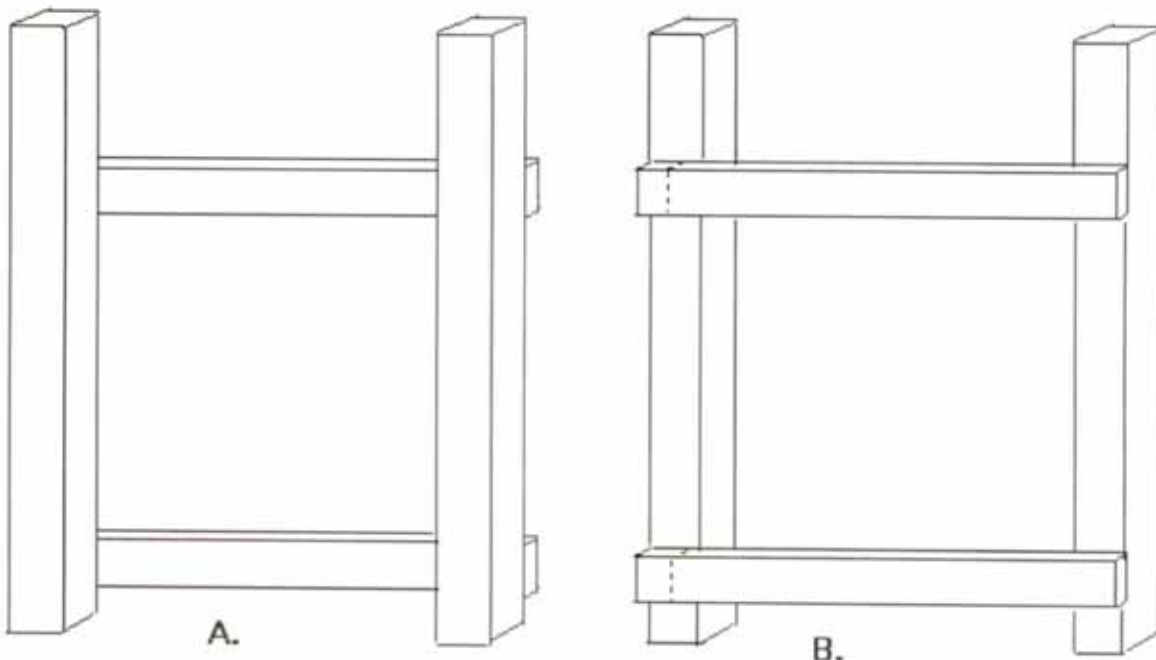


Figure 2. Saw two 2X4" pieces of lumber down to 46" in length and attach to back of posts with 3.5" galvanized nails or 3 wood screws so the end of the lumber is flush with the side of the 4X4 posts. If additional sections are to be placed at right angles, the beams should be two inches shorter and not cover the width of the post on the corner post. The front of the screen is shown on the left (A). The back side of screen is shown on the right (B).

Optional. The posts and/or beams could be notched so that the cross beams are flush with the back of the posts. This will make neater corner

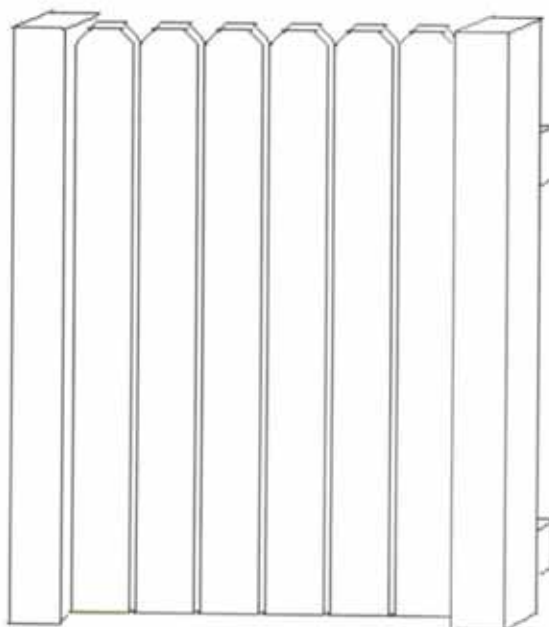


Figure 3. Cut six 1X6" down to 4' 11" and cut "dog ears". Cut one side of a "dog ear". Use as a template by aligning it onto the 2nd 1X6. Trace "dog ear". Flip template over and trace "dog ear" on other side. Cut off both corners on 2nd piece following the pencil line. Use 2nd piece as template for all remaining 1X6" pieces.

Using 2" wood screws (or nails), attach each "dog-eared" 1 X6 to the two horizontal cross beams as close to each other as possible so that they are evenly spaced, between the posts. The 1X6" vertical panels should be slightly above the ground. Use clamps to temporarily hold in place